

INSTALLATION INSTRUCTIONS

HDX Winch Mount Grille Guard



APPLICATION:

Dodge Ram 1500 2009-2018; Ram 1500 Classic 2019-2020
(Excl. Rebel & Warlock)

PART NUMBER:

Winch Tray Kit: 46-23755
Grille Guard Kit: 57-93545A

Kit Number: 57-93545

ITEM	QUANTITY	DESCRIPTION	TOOLS NEEDED
1	1	WINCH TRAY	18MM WRENCH
2	1	HDX GRILLE GUARD (PART # 57-93540/93545)	18MM SOCKET
3	1	SPORTSMAN GRILLE GUARD (PART # 40-93545/45-93540)	14MM WRENCH
4,5	2	WINCH TRAY MOUNTING BRACKETS, (4) DRIVERS SIDE , (5) PASSENGER SIDE	15MM SOCKET
6,7	2	WINCH TRAY SUPPORT BRACKETS, (6) DRIVERS SIDE, (7) PASSENGER SIDE	ALLEN KEY (INCLUDED)
8	2	FRAME EXTENSION BRACKET	10MM SOCKET
9	4	M12 BUTTON HEAD BOLTS (BLACK ZINC)	TORQUE WRENCH
10	8	M12 FLAT WASHERS (BLACK ZINC)	RATCHET
11	4	M12 LOCK WASHERS (BLACK ZINC)	
12	4	M12 HEX NUTS (BLACK ZINC)	
13	2	M12 X 140MM HEX HEAD BOLTS	
14	2	M12 THICK FLAT WASHERS	
15	2	M12 X 30MM HEX HEAD BOLTS (FINE THREAD)	
16	2	M12 HEX NUTS	
17	4	M12 FLAT WASHERS	
18	4	M12 LOCK WASHERS	
19	14	M10 FLANGE BOLT	
20	14	M10 SERRATED FLANGE NUT	
HARDWARE ITEMS BELOW ARE INCLUDED WITH THE GRILLE GUARD KIT			
21	6	M12 X 90MM BUTTON HEAD BOLTS (STAINLESS STEEL) (INCLUDED WITH PART #57-93545/A)	
22	12	M12 FLAT WASHERS (STAINLESS STEEL) (INCLUDED WITH PART #57-93545/A)	
23	6	M12 LOCK WASHERS (STAINLESS STEEL) (INCLUDED WITH PART #57-93545/A)	
24	6	M12 HEX NUTS (STAINLESS STEEL) (INCLUDED WITH PART #57-93545/A)	
25	2	SPACER BLOCKS (INCLUDED WITH PART # (57-93540/93545)	

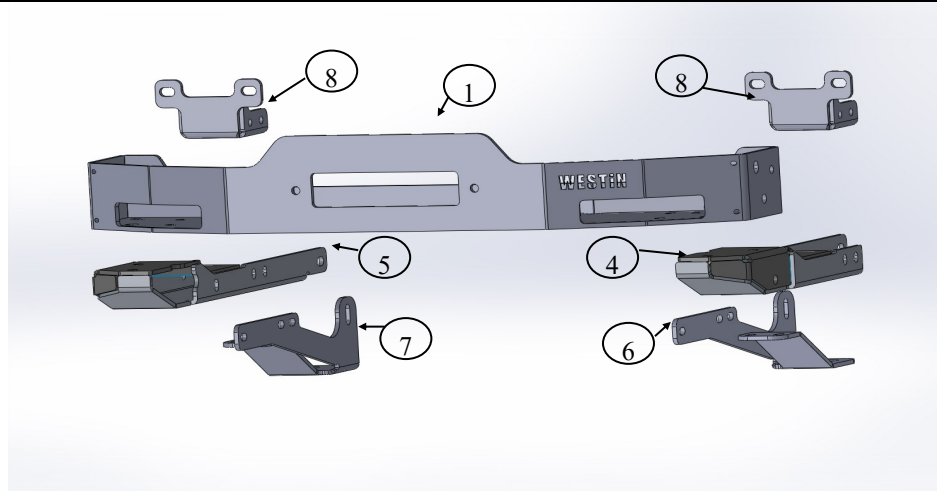


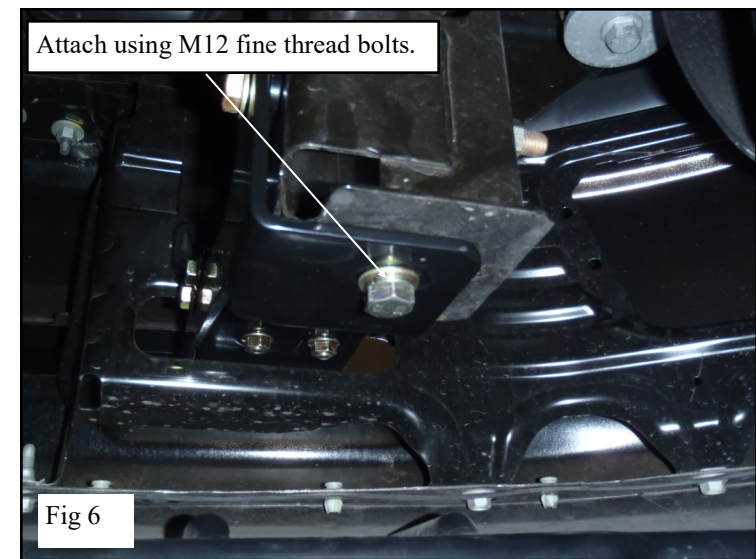
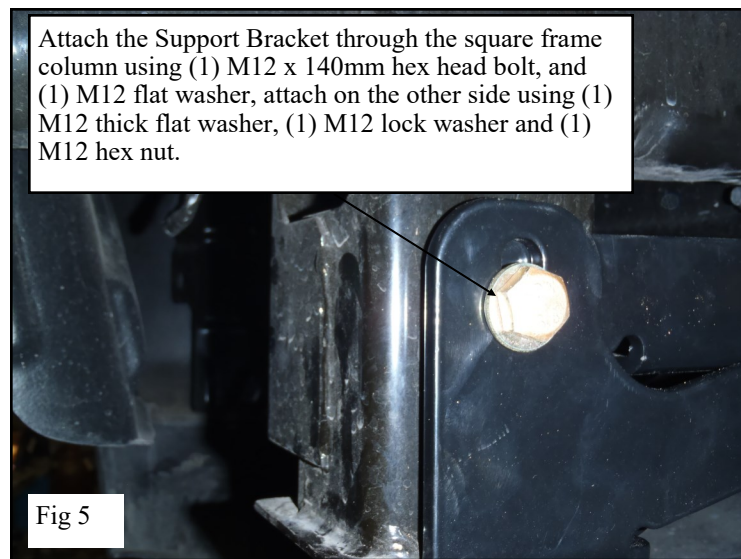
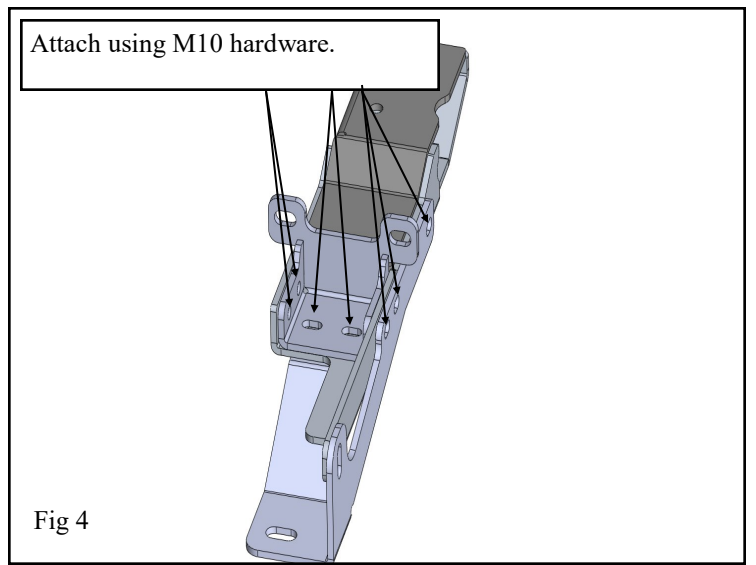
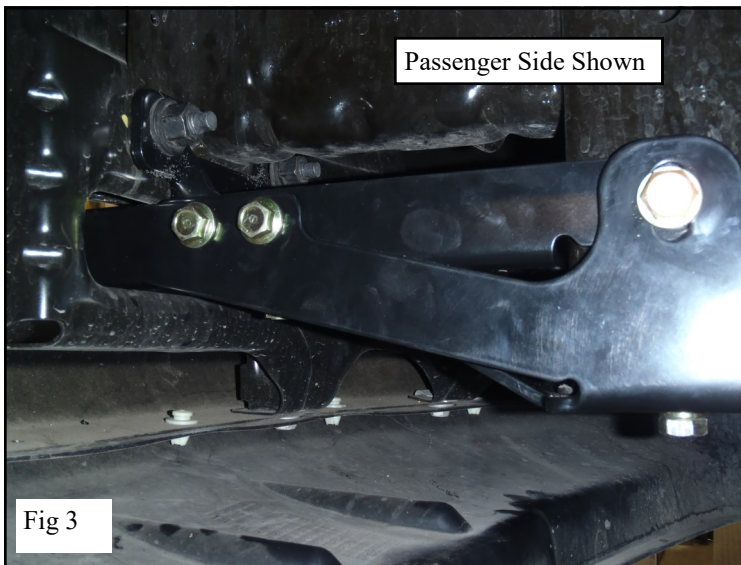
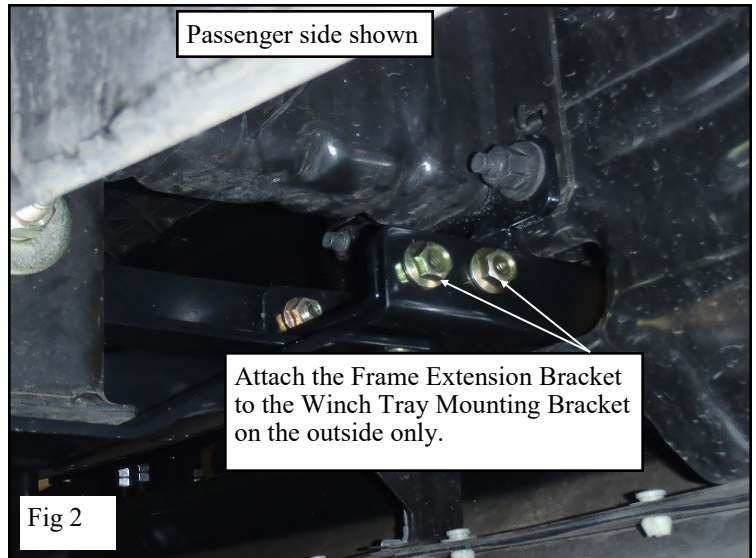
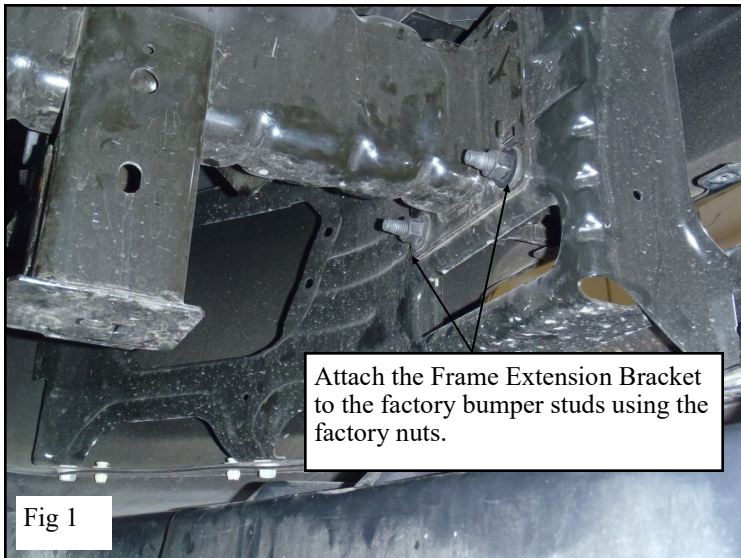
Westin Automotive Products, Inc.
320 Covina Blvd
San Dimas, Ca. 91773

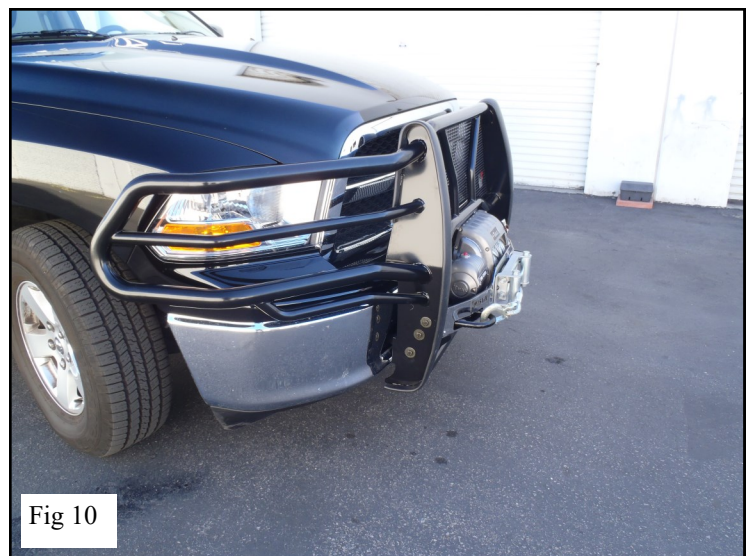
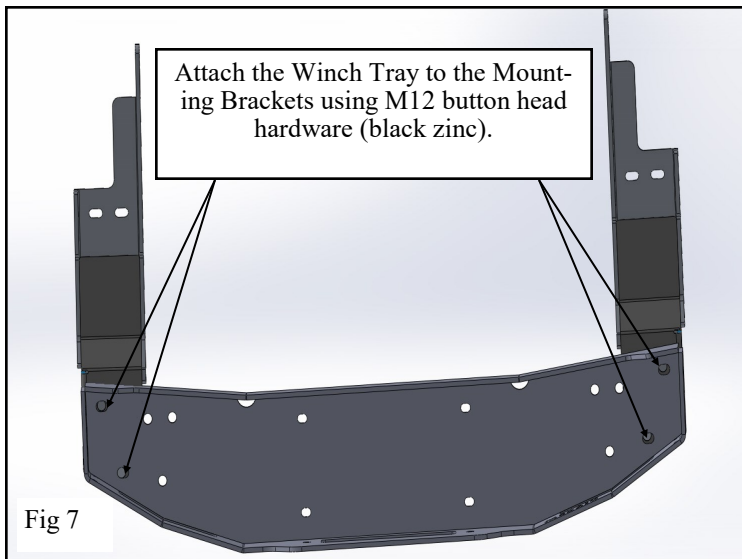
Thank You for choosing Westin products
For Additional installation assistance please call
Customer service (800) 793-7846
www.westinautomotive.com

PROCEDURE

1. Remove contents from box, verify if all parts listed are present and free from damage.
Carefully read and understand all instructions before attempting installation.
Failure to identify damage before installation could lead to a rejection of any claim.
2. This application requires the removal of the factory tow hooks if equipped, slight trimming of the tow hook pocket may be required. For 09-12 vehicles without tow hooks, the plastic bumper insert must be trimmed or removed to allow clearance of the winch tray mounting bracket. For 2013-up vehicles without tow hooks, from behind the front bumper locate the (4) factory M6 bolts attaching the passenger side tow hook cover and remove them. Remove the plastic tow hook cover and trim to fit the winch tray mounting bracket then re-install the plastic tow hook cover. Repeat this step for the drivers side.
3. Starting on the drivers side take (1) frame extension bracket and attach it to the (2) lower bumper mounting bolts using the factory hardware Fig 1. Do not fully tighten at this time.
4. Take the drivers side winch tray mounting bracket and place it through the tow hook opening and attach the mounting bracket to the outside of the frame extension bracket using (2) M10 serrated flange bolts, and (2) serrated flange nuts Fig 2. Do not fully tighten at this time.
5. Take the drivers side support bracket and attach it to the previously installed winch tray mounting bracket and frame extension bracket using (5) M10 serrated flange bolts, and (5) M10 serrated flange nuts Fig 3&4. Do not fully tighten at this time.
6. Attach the drivers side support bracket to the frame of the vehicle by placing (1) M12 x 140mm hex head bolt, and (1) M12 flat washer through the square frame column, and attach on the other side using (1) M12 thick flat washer, (1) M12 lock washer, and (1) M12 hex nut Fig 5. Attach the support bracket to the threaded hole in the frame using (1) M12 fine thread hex head bolt, (1) M12 lock washer, and (1) M12 flat washer Fig 6. NOTE: The thick washer should be placed on the side opposite the bracket. Do not fully tighten at this time.
7. Repeat steps 3-7 for the passenger side.
8. Take the winch tray and place it on the winch tray mounting brackets and attach using (4) M12 button head bolts, (8) M12 flat washers, (4) M12 lock washers, and (4) M12 hex nuts Fig 7. NOTE: Must use the hardware included with the winch tray. Do not fully tighten at this time.
9. Align and adjust the winch tray as needed then fully tighten all hardware at this time. Torque all M12 fasteners to 45-50 ft lbs, and M10 to 35-40 ft lbs.
10. To install part # 40-93545/45-93540, take the grille guard and place it to the outside of the winch tray. Attach the grille guard to the winch tray and the winch tray mounting bracket using (6) M12 button head bolts, (12) M12 flat washers, (6) M12 lock washers, and (6) M12 hex nuts Fig 8. NOTE: Must use the hardware included with the grille guard. Do not fully tighten at this time.
11. Align and adjust the grille guard as needed, then tighten all fasteners at this time. Torque all M12 fasteners to 30-35 ft lbs.
12. To install part # 57-93540/93545, with assistance take the (2) spacer blocks and place them in between the winch tray and the grille guard Fig 9, then attach using (6) M12 x 90MM hex head bolts, (12) M12 flat washers, (6) M12 lock washers, and (6) M12 hex nuts Fig 10. NOTE: must use the hardware included with the grille guard. Do not fully tighten at this time.
13. Align and adjust the grille guard as needed, then tighten all fasteners at this time. Torque all M12 fasteners to 30-35 ft lbs.







CARE INSTRUCTIONS

- REGULAR WAXING IS RECOMMENDED. DO NOT USE ANY TYPE OF POLISH OR WAX THAT MAY CONTAIN ABRASIVES
- STAINLESS STEEL PRODUCTS CAN BE CLEANED WITH MILD SOAP AND WATER. STAINLESS STEEL POLISH SHOULD BE USED TO POLISH SMALL SCRATCHES.
- GLOSS BLACK FINISHES SHOULD BE CLEANED WITH MILD SOAP AND WATER



Installation complete, shown with optional stainless steel faceplate and tow hooks



Installation complete, with part # 57-93545, shown with optional stainless steel face plate and tow hooks



WARNING



Failure to follow these instructions could lead to death, personal injury, and / or property damage.

Failure to follow these instructions could lead to death, personal injury, and / or property damage.

FASTENERS:

All Westin supplied fasteners must be utilized and installed in accordance with the installation instructions and apply torque to the specifications as defined. **DOUBLE CHECK ALL FASTENERS BEFORE INITIAL USE, AND PERIODICALLY IN THE FUTURE TO ENSURE PROPER FUNCTION AND SAFETY.**

DRILLING:

Most Westin products do not require drilling for installation. If drilling is defined as required, use caution when drilling a vehicle. **FAILURE TO REVIEW AN AREA TO BE DRILLED MAY RESULT IN PERSONAL INJURY AND/OR INJURY TO OTHERS AS WELL AS VEHICLE DAMAGE.**

EYE PROTECTION:

ALWAYS WEAR SAFETY GLASSES OR GOGGLES DURING THE INSTALLATION PROCESS TO AVOID PERSONAL INJURY.

MAXIMUM TOWING/CARRYING CAPACITY: (if applicable)

The Westin Receiver Hitches will have a visible tow rating label affixed directly on the product. User should never exceed the vehicle manufacturers maximum tow and weight rating regardless of the capacity of the hitch. **FAILURE TO FOLLOW THESE GUIDELINES WILL VOID THE WESTIN WARRANTY AND MAY RESULT IN PERSONAL INJURY AND/OR INJURY TO OTHERS AS WELL AS VEHICLE DAMAGE.**

FOR CALIFORNIA RESIDENTS ONLY-PROP 65 WARNING:

Some products may contain chemicals such as DEHP, which can cause cancer, birth defects or other reproductive harm. For more info go to www.p65warnings.ca.gov



Westin Automotive Products, Inc.
320 Covina Blvd
San Dimas, Ca. 91773

Thank You for choosing Westin products
For Additional installation assistance please call
Customer service (800) 793-7846
www.westinautomotive.com

DATE: 07/12/2021